



Single Angle Shear Wave



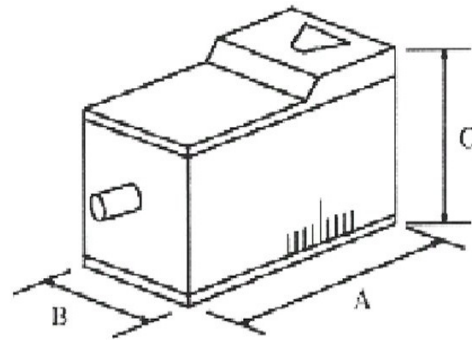
Features

- Single angle beam shear wave contact probe.
- Rectangular, lead zirconate titanate crystal.
- Medium damped for medium bandwidth.
- Acrylic face.

Frequent Applications

- Castings
- Ceramics
- Forgings
- Machined parts
- Tube & Pipe
- General Welds

Transducer Models				
type	f	Θ	a x b	N
p/n	(MHz)	($^{\circ}$)	(mm)	(mm)
SA2-35	2.3	35	10 x 10	20
SA2-38	2.3	38	10 x 10	19
SA2-45	2.3	45	10 x 10	18
SA2-60	2.3	60	10 x 10	16
SA2-70	2.3	70	10 x 10	15
SA2-80	2.3	80	10 x 10	14
SA2-90	2.3	90	10 x 10	13
SA5-35	4.3	35	8 x 10	34
SA5-38	4.3	38	8 x 10	34
SA5-45	4.3	45	8 x 10	33
SA5-60	4.3	60	8 x 10	31
SA5-70	4.3	70	8 x 10	30
SA5-80	4.3	80	8 x 10	29
SA5-90	4.3	90	8 x 10	28



Size Options		Connector Options												
Probe Size (mm)	Case Dimensions (mm)			Connector Type							Connector Position			
	a x b	A	B	C	BNC (B)	Lemo 1 (L)	Lemo 00 (Z)	Microdot (D)	Subvis (S)	UHF (U)	Top (T)	Rear (R)	Side	Cable
10 x 10	27.0	19.0	16.0	-	-	-	-	•	-	-	•	•	-	-
10 x 10	27.0	19.0	16.0	-	-	-	•	-	-	-	•	•	-	-
10 x 10	27.0	24.0	16.0	-	-	•	-	-	-	-	•	•	-	-
8 x 10	27.0	19.0	16.0	-	-	-	•	•	-	-	•	•	-	-
8 x 10	27.0	19.0	16.0	-	-	-	-	-	-	-	•	•	-	-
8 x 10	27.0	24.0	16.0	-	-	•	-	-	-	-	•	•	-	-